

LA250EVK

125 daN | for gates up to 250 kg per leaf

POWERED BY
myQ®



Motor warranty: 2 years

Max. gate weight at max. leaf width:

250 kg / 1.5 m

200 kg / 2 m

150 kg / 2.5 m

Max. cycles h/day: 8/25

Opening time 90°: <15-18s



Delivery kit LA250EVK

LA250EV

2 x 24 V swing gate operator



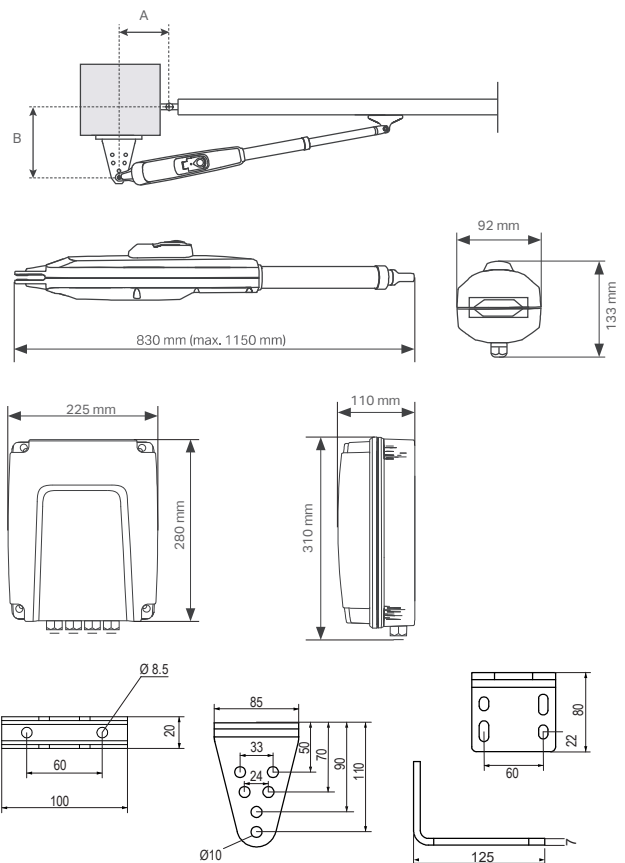
TX4EVF

2 x 4-channel remote transmitters
Controls up to 4 openers



CB324EV

1 x control board
factory installed Includes
transformer and integrated
radio module



Further kits

LA250EVK-01 LA250EVK-Kit
+ infrared safety sensor (772E-01)

LA250EVK-02 LA250EVK-Kit
+ flashing light (FLA1LED)

LA250EVK-03 LA250EVK-Kit
+ infrared safety sensor (772E-01)
+ flashing light (FLA1LED)

Overview possible opening angles

mm		A				
		100	120	140	160	180
B	100	n.a.	110°	105°	105°	100°
	120	110°	110°	100°	95°	95°
	140	100°	100°	100°	90°	80°
	160	95°	95°	90°	85°	75°
	180	90°	90°	80°	75°	70°